

DA-680 Series

Intel® 8th Gen Core™ processor, IEC-61850, 1U rackmount computers with 8 Gigabit Ethernet ports, 8 to 16 serial ports



Features and Benefits

- IEC 61850-3, IEEE 1613, and IEC 60255 compliant for power substation automation systems
- Built-in DDR4 memory socket that supports 16 GB capacity
- Supports 100 to 240 VAC/VDC power inputs (single-power and dual-power models available)

Certifications

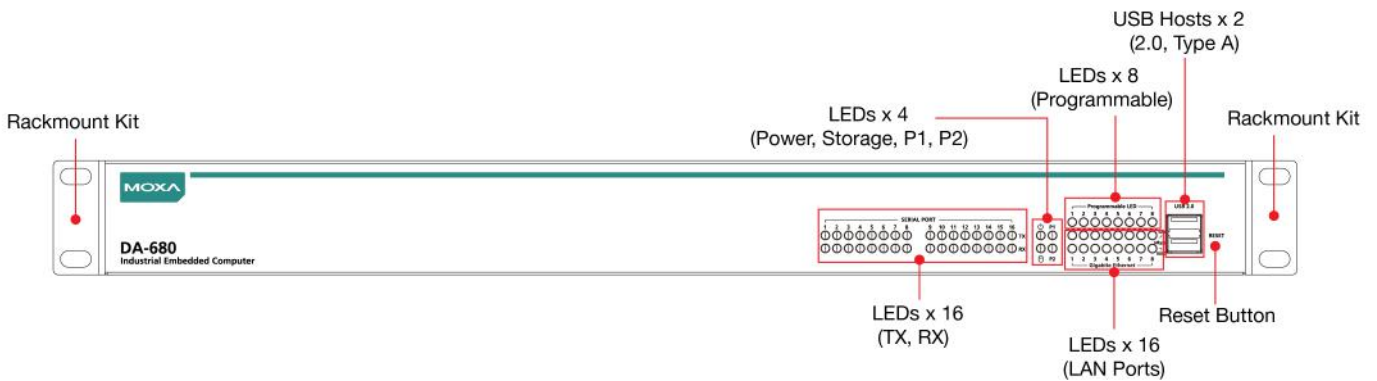


Introduction

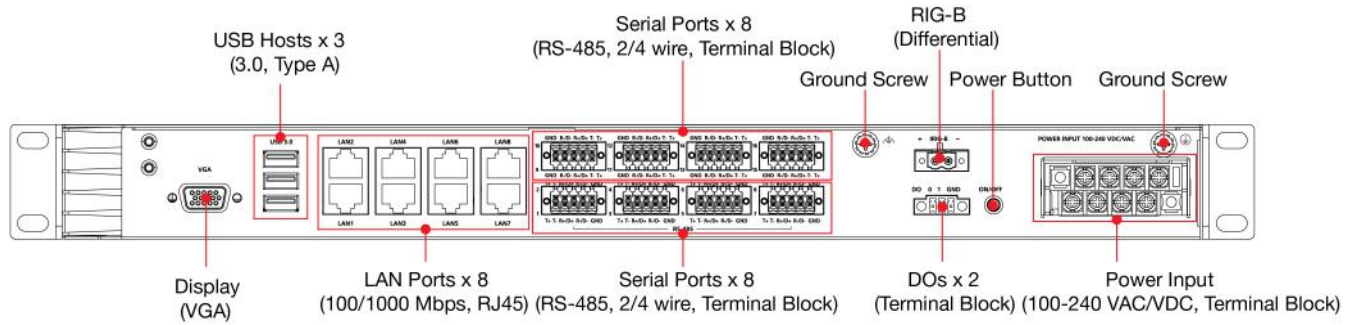
The DA-680 computer is built around an Intel® Core™ i3 processor and comes with 8 Gigabit Ethernet ports, 1 VGA port, 8/16 isolated RS-485 serial ports, and 5 USB ports. Additionally, one 2.5" HDD/SSD slot and one mSATA slot are included to enable storage expansion for industrial applications that require large storage space for edge data acquisition. With IEC 61850-3, IEEE 1613, and IEC 60255 compliance, the DA-680 is sure to deliver stable and reliable system operation for power applications.

Appearance

Front View



Rear View



Specifications

Computer

CPU	Intel® Core™ i3-8145UE Whiskey Lake processor
System Memory Slot	DDR4 (non-ECC) slots x 1
DRAM	16 GB max
Graphics Controller	Intel® UHD Graphics 620
Storage Slot	2.5-inch HDD/SSD slots x 1 mSATA slots x 1
Supported OS	Windows 10 IoT Ent 2021 LTSC, version 21H2 Linux Debian 11 Ubuntu 20.04 CentOS 7.9

Computer Interface

USB 2.0	USB 2.0 hosts x 3, type-A connectors 2 ports on the front panel, 1 port inside the computer
USB 3.0	USB 3.0 hosts x 3, type-A connectors 3 ports on the rear panel
Video Output	VGA x 1, DB-15 connector
Ethernet Ports	Auto-sensing 10/100/1000 Mbps ports (RJ45 connector) x 8
Time Synchronization	IRIG-B (terminal block)
TPM	TPM v2.0
Serial Ports	DA-680-I-8-WL3-H/HH: 2-wire RS-485/4-wire RS-485 x 8 (terminal block) DA-680-I-16-WL3-H/HH: 2-wire RS-485/4-wire RS-485 x 16 (terminal block)

Digital Outputs

Connector	Screw-fastened Euroblock terminal
Current Rating	200 mA per channel
I/O Type	Sink
Voltage	24 VDC nominal, open collector to 30 VDC
Isolation	3k VDC

LED Indicators

System	Programmable x 6 Storage x 1 Power x 1 Power Fail x 2 (Power Fail 1/2)
LAN	2 per port (10/100/1000 Mbps)
Serial	2 per port (Tx, Rx)

Serial Interface

Baudrate	50 bps to 115.2 kbps
Connector	Terminal block
Serial Standards	RS-485 2-wire / 4-wire

Serial Signals

RS-485-2w	Data+, Data-, GND
RS-485-4w	Tx+, Tx-, Rx+, Rx-, GND

IRIG-B Interface

Input Signal	Differential
Time-code Input	Based On: IRIG standard 200-04 IEEE 1344
Accuracy (Time Synchronization)	±1 µs
Accuracy (Free Running)	±500 ms @ 24 hr

Power Parameters

Input Current	100 to 240 VAC, 50/60 Hz, 1.05 A (max) 100 to 240 VDC, 0.7 A (max)
Power Button	ON/OFF (rear panel)
Reset Button	Reset button (front panel)

Physical Characteristics

Housing	Metal
Dimensions (without ears)	440 x 335.5 x 44 mm (17.32 x 13.21 x 1.73 in)
Weight	4659.5 g (10.27 lb)
Installation	19-inch rack mounting

Environmental Limits

Operating Temperature	-25 to 55°C (-13 to 131°F)
Storage Temperature (package included)	-40 to 85°C (-40 to 185°F)
Ambient Relative Humidity	5 to 95% (non-condensing)

Standards and Certifications

EMC	EN 55032/35 EN 61000-6-2/-6-4
EMI	CISPR 32, FCC Part 15B Class A

EMS	IEC 61000-4-2 ESD: Contact: 8 kV; Air: 15 kV IEC 61000-4-3 RS: 80 MHz to 1 GHz: 20 V/m IEC 61000-4-4 EFT: Power: 4 kV; Signal: 4 kV IEC 61000-4-5 Surge: Power: 4 kV; Signal: 4 kV IEC 61000-4-6 CS: 10 V IEC 61000-4-8 PFMF: 100 A/m at 50 Hz IEC 61000-4-11
Power Substation	IEC 61850-3 IEEE 1613
Protection Relay	IEC 60255
Shock	IEC 61850-3 Edition 2.0, IEC 60068-2-27, IEC 60255-21-2
Safety	UL 62368-1 IEC 62368-1

Declaration

Green Product	RoHS, CRoHS, WEEE
---------------	-------------------

MTBF

Time	238,154 hrs
Standards	Telcordia SR332

Warranty

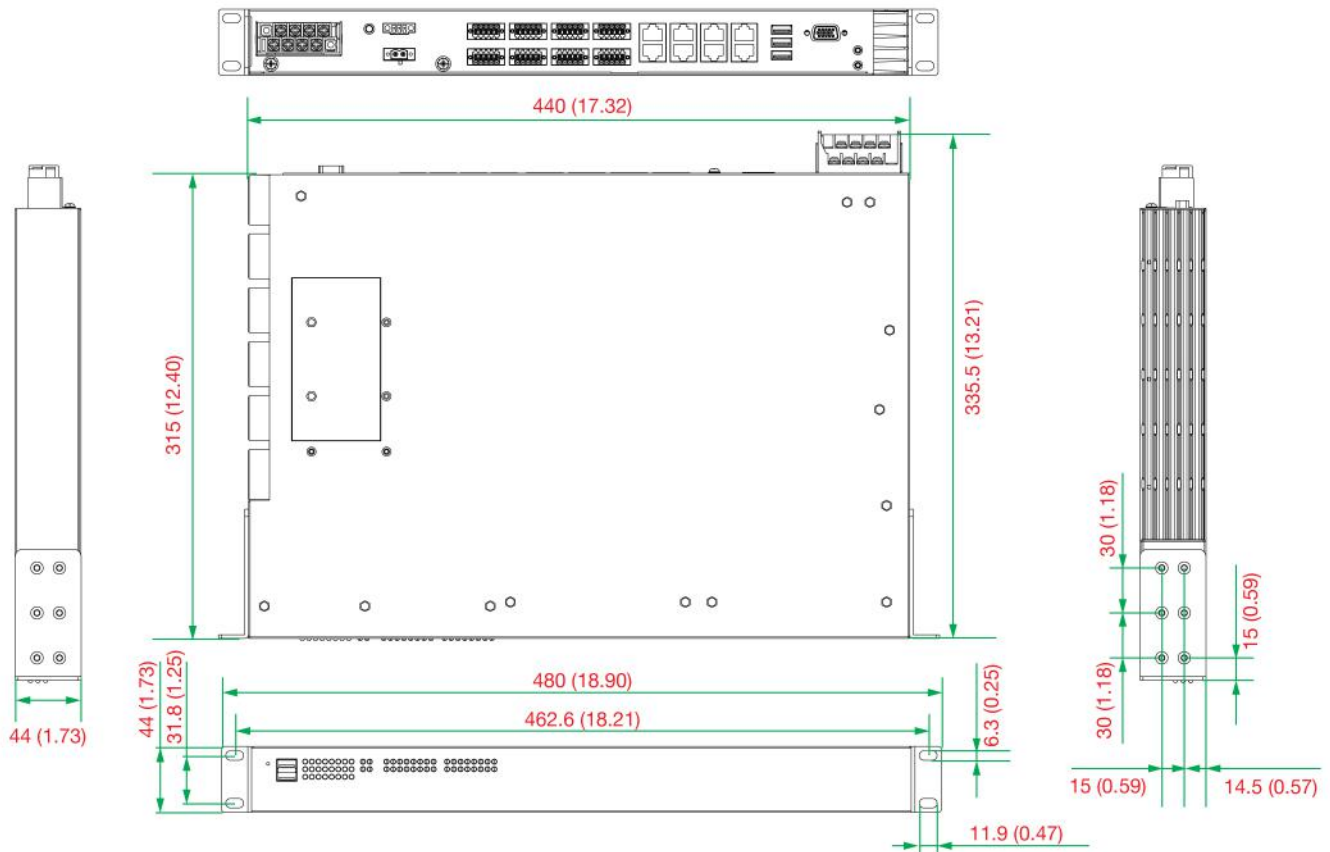
Warranty Period	3 years
Details	See www.moxa.com/warranty

Package Contents

Device	1 x DA-680 Series computer
Installation Kit	1 x rack-mounting ear
Documentation	1 x quick installation guide 1 x warranty card
Note	This product requires additional modules (sold separately) to function.

Dimensions

Unit: mm (inch)



Ordering Information

Model Name	10/100/1000 Mbps Ports (RJ45 Connector)	RS-485 2-Wire/4-Wire (Terminal Block)	CPU	Power Input 100-240 VAC/VDC	Operating Temp.
DA-680-I-8-WL3-HH	8	8	Intel® Core™ i3-8145UE	Dual	-25 to 55°C
DA-680-I-8-WL3-H	8	8	Intel® Core™ i3-8145UE	Single	-25 to 55°C
DA-680-I-16-WL3-HH	8	16	Intel® Core™ i3-8145UE	Dual	-25 to 55°C
DA-680-I-16-WL3-H	8	16	Intel® Core™ i3-8145UE	Single	-25 to 55°C

Accessories (sold separately)

Storage Kits

DA-680 SSD/HDD Kit

DA-680 SSD/HDD Kit

© Moxa Inc. All rights reserved. Updated Aug 21, 2023.

This document and any portion thereof may not be reproduced or used in any manner whatsoever without the express written permission of Moxa Inc. Product specifications subject to change without notice. Visit our website for the most up-to-date product information.